

CH-01 Computer Holder for HyperStem

WARNINGS:

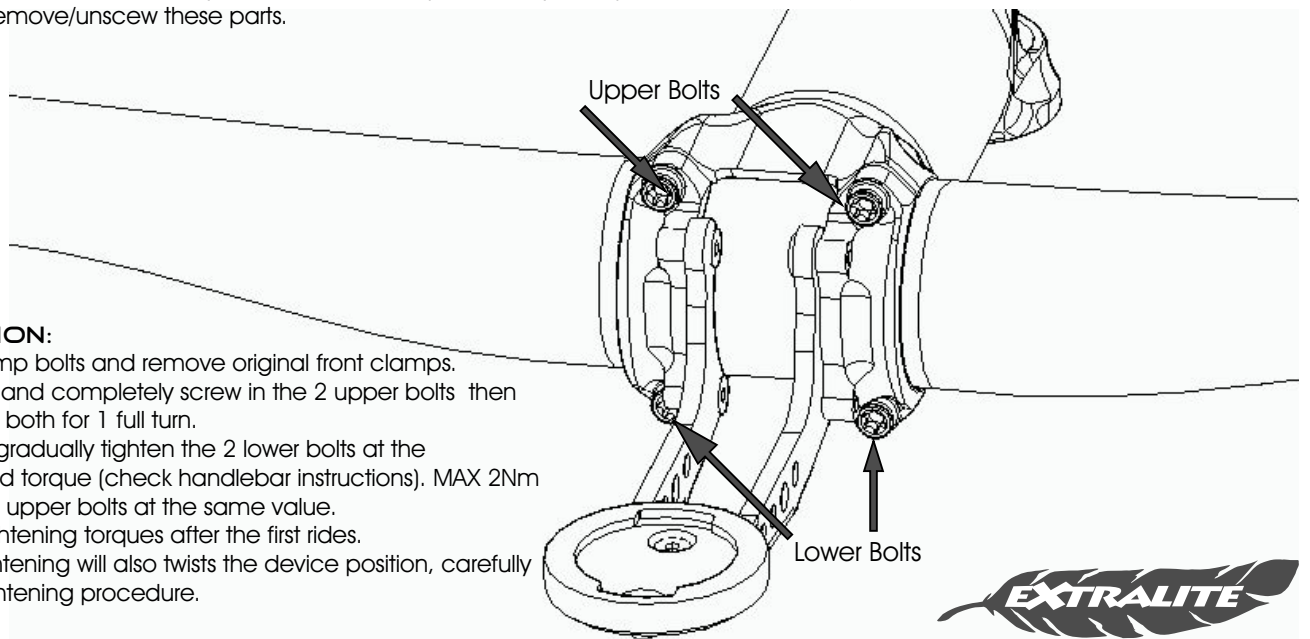
- Do not use maximum torque if not necessary, especially on lightweight carbon handlebars.
- Use only the original M4 Ti bolts with special rounded head-base, that to avoid damages to stem and clamp structure, respect max torques.
- Do not try to mount CH-01 onto any other stem model/type. It is specifically designed for Extralite's HyperStem only.
- CH-01 carbon structure is factory assembled to the special alloy clamps, do not try to remove/unscrew these parts.

FEATURES:

Compatibility: Extralite HyperStem (all models)
Materials: T700 Carbon fiber, AL7075TXX clamps, ergal nuts, stainless micro bolts.
Replaceable standard adaptor-insert.
The adaptor-insert can be replaced with several other models commonly available that share that same 2 bolts mounting standard.

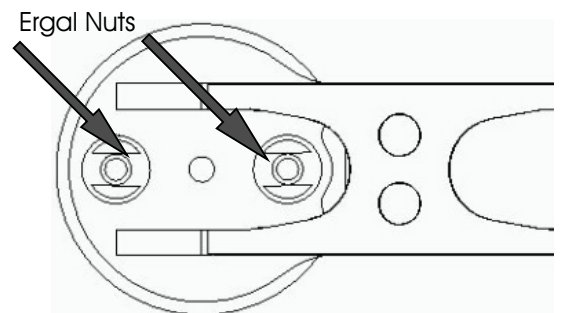
INSTALLATION:

- Unscrew clamp bolts and remove original front clamps.
- Install CH-01 and completely screw in the 2 upper bolts then unscrew them both for 1 full turn.
- Equally and gradually tighten the 2 lower bolts at the recommended torque (check handlebar instructions). MAX 2Nm
- Tighten the 2 upper bolts at the same value.
- Re-check tightening torques after the first rides.
- Incorrect tightening will also twist the device position, carefully repeat the tightening procedure.



REPLACEMENT OF PLASTIC ADAPTOR INSERT:

The plastic adaptor-insert can be replaced with several others commonly available that share the same 2x bolts (M3) mounting standard. Warm up to 60° the Ergal Nuts before unscrewing them with small flat pliers. When reinstalling secure Ergal Nuts with Loctite 243, 1Nm max torque.



Extralite Limited Warranty

Extralite products are warranted against defects in materials and/or workmanship for a period of two years from original date of purchase to the original owner only. Any Extralite product that is returned and found by Studio Riva to be defective in materials and/or workmanship will be repaired or replaced at the sole discretion of Studio Riva. This warranty is the sole and exclusive remedy.

Studio Riva shall not be held liable for any indirect, special or consequential damages.

The warranty is expressly limited to repair or replacement of the product that has been returned and found to be defective by Studio Riva and are the sole remedy of the warranty.

No credits or refunds will be issued.

The warranty does not cover: normal wear, tear and fatigue; damage or failure due to accident or collision. Improper assembling, poor maintenance, alterations or modifications, installation of parts not compatible with Extralite products void this warranty.

Warranty does not cover damage arising from crash, abuse and/or misuse or any other circumstances in which the product had been subjected to forces or loads beyond its design.

Immediately replace the component after crash and violent shock, or after continuous heavy use. Improper use, modification and/or part changing, including surface finishing, could irreparably damage the component. All labor charges for warranty service are responsibility of the product owner.

INSTALLATION WARNING:

Extralite components are extremely performing and lightweight, crafted with very high quality, they request adequate installation and maintenance care.

We strongly recommended that a professional bike shop install and service your Extralite components.

Improper assembly and/or adjustment may significantly compromise strength and durability of the component causing serious personal injury.

Carefully check proper tightening torque of every bolt.

Always respect installation recommendations.

Extralite components are designed for a specific use X-Country or Road or Downhill, respect product specific destination.

Note: the rider assumes all the risks regarding use and installation of Extralite components.

