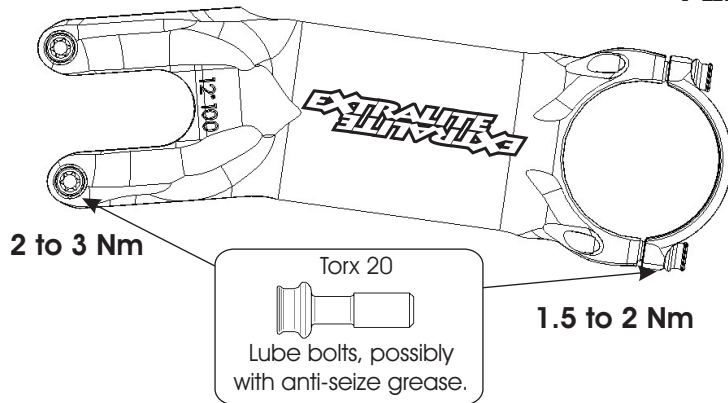


# HyperStem *All versions*



## FEATURES:

- HyperStem steerer tube 1 1/8" (28.6mm)
- HyperStem 1.25 steerer tube 1 1/4" (31.8mm)
- Handlebar Diameter: 31.8mm.
- Available rise: +/- 6° +/- 12°.
- Materials: 7075 Txx, special Ti Gr5 Bolts.

## DESTINATION:

Road, Cross Country, Enduro, not for Downhill.

## INSTALLATION:

- Lube bolts, possibly with anti-seize grease.
- Check the steer tube minimum insert (32mm) and adjust headset bearing preload. Tighten fork tube bolts at the moderate maximum torque of 3 Nm.
- Bar clamp: completely screw the two upper bolts then unscrew one full turn. Equally tighten the lower bolts at the recommended torque. Tighten upper bolts at the same value.
- Re-check tightening torques after first rides.

## WARNINGS:

- Minimum steer tube insert 32mm.
- Use only the original special M4 thin thread Ti bolts with rounded base to avoid damages to stem and clamp structure, Respect max torque.
- Do not use maximum torque if not necessary, especially on light-weight carbon bars.